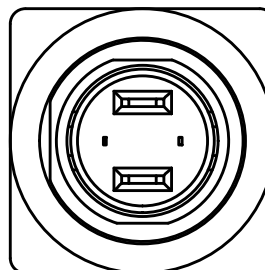
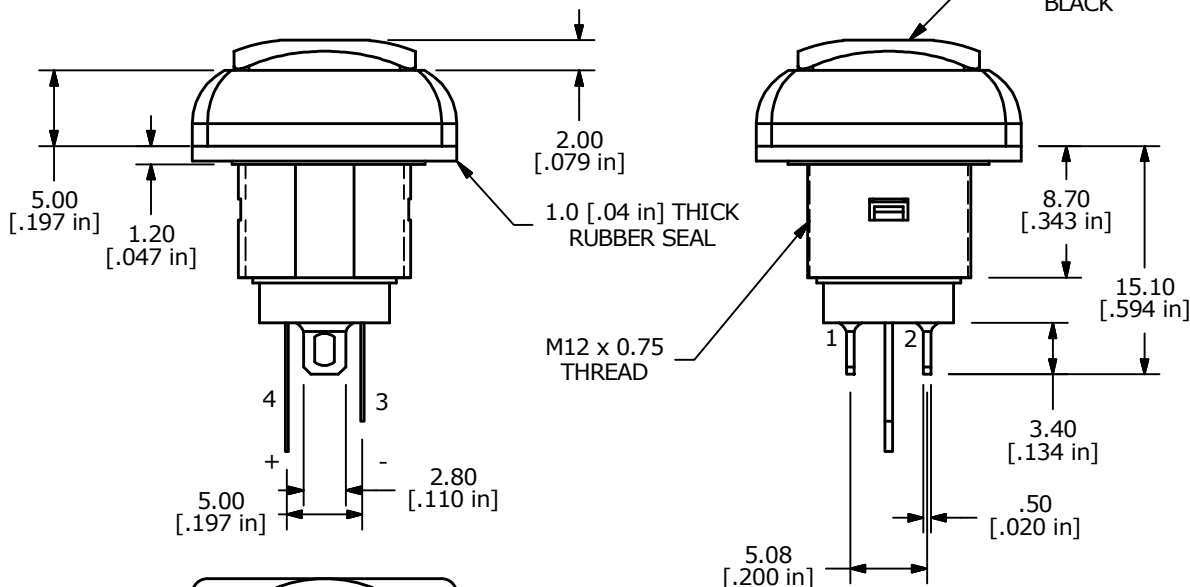
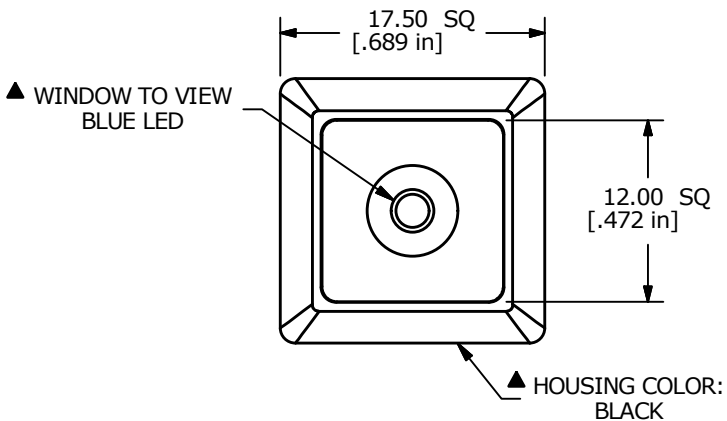


▲ **CIRCUIT: SPST**  
OFF-(ON)  
MOMENTARY

LED PARAMETER	FORWARD CURRENT	FORWARD VOLTAGE @ 20mA	LUMINOUS INTENSITY
UNITS	mA	V	mcd
BLUE	20	3.1 - 3.6	580

- NOTE:**
- ALL DIMENSIONS IN MM [INCH]
  - GENERAL TOLERANCE: X.X=±0.4  
X.XX=±0.25
  - TERMINAL NUMBERS FOR REF ONLY
  - CIRCUIT: SPST OFF-MOMENTARY ON
  - CONTACT MATERIAL: GOLD OVER SILVER
  - RATING: 125mA @ 125 VAC  
100mA @ 50 VDC
  - ELECTRIC LIFE: 500,000 CYCLES AT FULL LOAD
  - CONTACT RESISTANCE: 50 MILLIOHM MAX. (INITIAL)
  - INSULATION RESISTANCE: 1,000 MEGA-OHM MIN. @ 500VDC.
  - DIELECTRIC STRENGTH: 1,000 VAC FOR 1 MINUTE.
  - ▲ OPERATING FORCE: 350 gf +/- 150 gf
  - OPERATING TEMPERATURE: -30°C TO +85°C.
  - CONTACT BOUNCE: 10ms MAX.
  - TRAVEL: 1.5±0.25MM
  - PANEL THICKNESS RANGE: 1.5 - 4.0 mm.
  - ▲ DENOTES CRITICAL PARAMETER.
  - 2011/65/EU (ROHS) COMPLIANT
  - MAX TORQUE APPLIED TO MOUNTING NUT: 0.5Nm
  - HARDWARE INCLUDED:
    - T081101 LOCK WASHER (QTY 1)
    - T081102 HEX NUT (QTY 1)
    - T081103 RUBBER O-RING (QTY 1)
  - SEAL RATING: IP67 TO THE FRONT PANEL



A	23279	NEW RELEASE	3/22/18	MJR
REV	PCR NO	DESCRIPTION	DATE	BY

<b>E-SWITCH®</b>				
TITLE <b>RP8500B2M1CEBLKBLKBLU</b>				
SCALE	DATE	DR	DWG	REV
2:1	3/22/2018	MJR	ST085004	A